



FRONT RUNNER

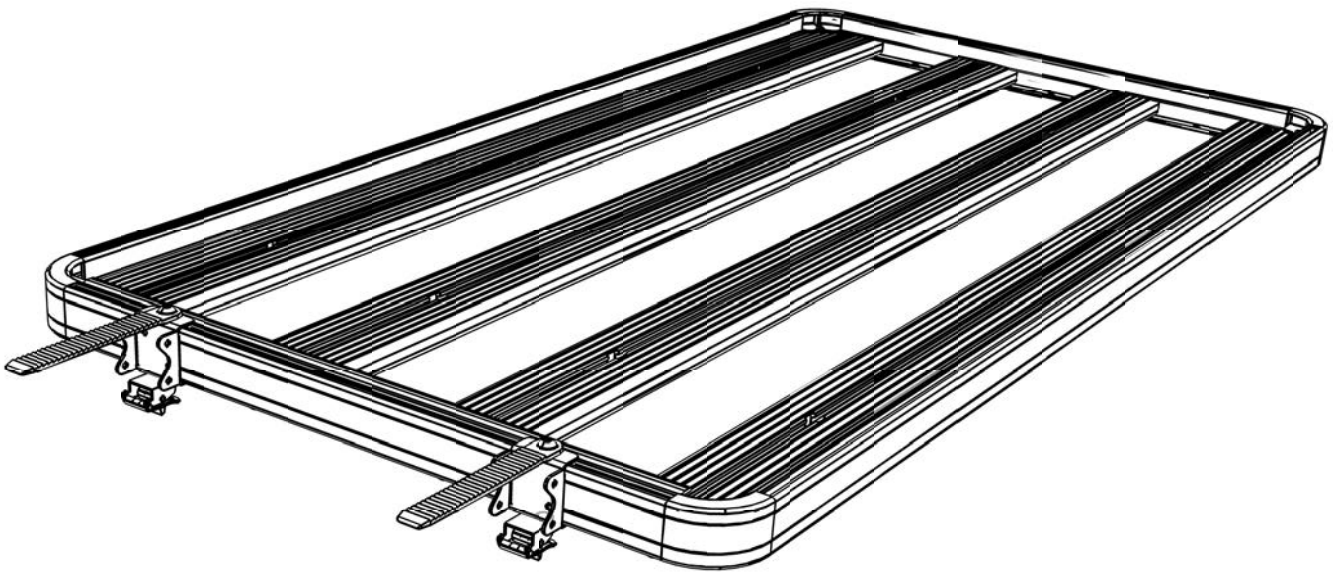
**UNIVERSAL SPADE BRACKET
RATCHET TYPE**

ENG

RRAC024



INSTALL TIME: 15 mins



IMPORTANT WARNING!

IT IS CRITICAL THAT ALL FRONT RUNNER PRODUCTS BE PROPERLY AND SECURELY ASSEMBLED AND ATTACHED TO YOUR VEHICLE. IMPROPER ATTACHMENT COULD RESULT IN AN AUTOMOBILE ACCIDENT, AND COULD CAUSE SERIOUS BODILY INJURY OR DEATH TO YOU OR TO OTHERS. YOU ARE RESPONSIBLE FOR ASSEMBLING AND SECURING ALL FRONT RUNNER PRODUCTS TO YOUR VEHICLE, CHECKING THE ATTACHMENTS PRIOR TO USE, AND PERIODICALLY INSPECTING THE PRODUCTS FOR ADJUSTMENT, WEAR, AND DAMAGE. THEREFORE, YOU MUST READ AND UNDERSTAND ALL OF THE INSTRUCTIONS AND CAUTIONS SUPPLIED WITH YOUR FRONT RUNNER PRODUCT PRIOR TO INSTALLATION OR USE. IF YOU DO NOT UNDERSTAND ALL OF THE INSTRUCTIONS AND CAUTIONS, OR IF YOU HAVE NO MECHANICAL EXPERIENCE AND ARE NOT THOROUGHLY FAMILIAR WITH THE INSTALLATION PROCEDURES, YOU SHOULD HAVE THE PRODUCT INSTALLED BY A PROFESSIONAL INSTALLER OR OTHER QUALIFIED PERSONNEL.

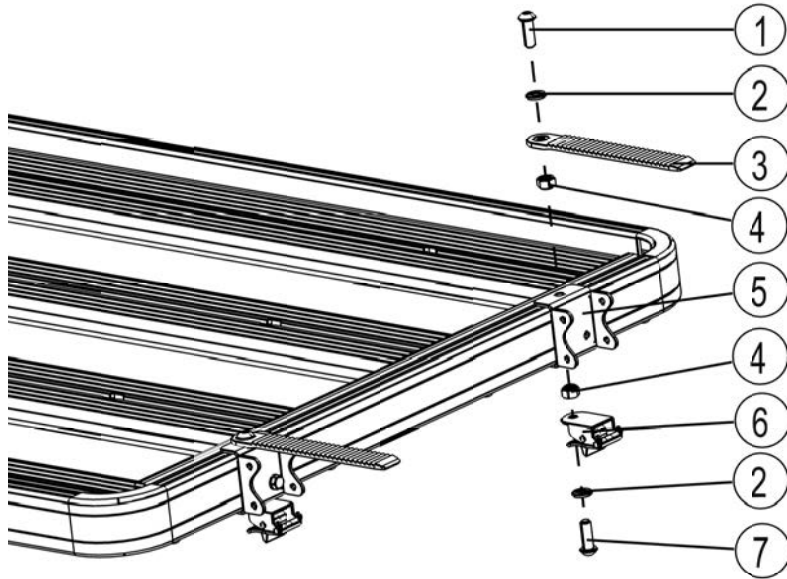
1 GET ORGANIZED



NOTE: Depending on which type of Rack you have, you will only use some of the fasteners

SLIMLINE & SLIMLINE II RACK

Here is what you are looking at:



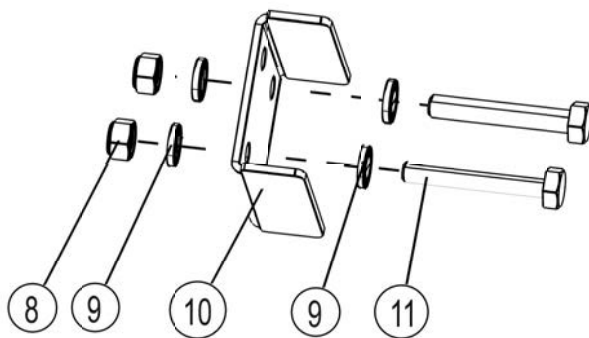
You will need:

13mm Flat and Socket Wrench
5mm Hex Key

Item #	Quantity	Description
1	2	M8x25 BUTTON HEAD BOLT
2	4	M8 FLAT WASHER
3	2	LADDER STRAP
4	4	M8 NYLOC NUT
5	2	SPADE BRACKET
6	2	RATCHET BUCKLE
7	2	M8x30 BUTTON HEAD BOLT

ADDITIONAL COMPONENTS & TOOLS - SLIMLINE RACK

Here is what you are looking at:



You will need:

10mm Flat and Socket Wrench
Drill machine
6.5mm Drill Bit
White Marking Pen

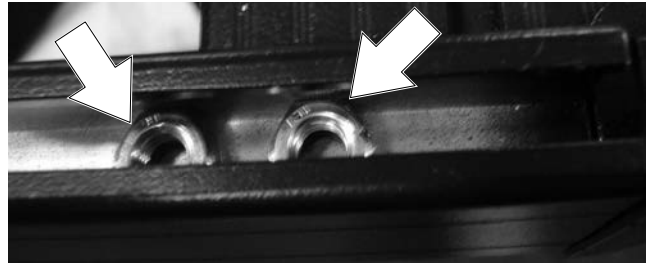
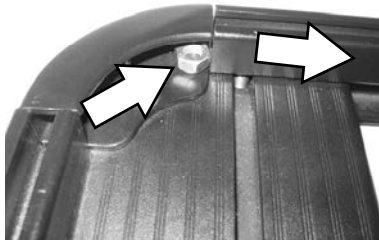
Item #	Quantity	Description
8	4	M6 NYLOC NUT
9	8	M6 FLAT WASHER
10	2	SPADE BRACKET
11	4	M6 X 40 HEX BOLT

(A) Familiarize yourself with the parts and then step away from the work area and read through these instructions from beginning to end. Take a moment as a little prep now may save you a lot of time later.

2 FIT SPADE BRACKETS - SLIMLINE II RACK

- (A) Decide where on your rack you would like to mount your spade.

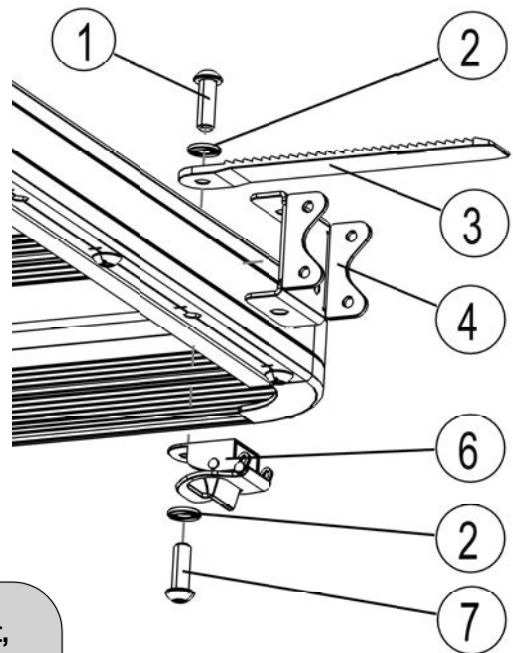
On the chosen side, slide two M8 Nyloc Nuts (Item 4) into the T-slot channel. One M8 Nyloc Nut will be used for each Base Bracket. The spacing of the Nyloc Nuts will depend on the length of your Spade and where the position of the hole in the bottom of the Side Profile is located.



- (B) Place one of the Spade Brackets (Item 4) over the outside of the side profile of your rack. Line up the hole in the bottom of the bracket with the hole found between two slats on the bottom lip of the side profile. Secure the Ratchet Buckle (Item 6) and Spade Bracket to the rack using a M8 x30 Button Head Bolt, M8 Flat Washer and M8 Nyloc Nut (Items 2, 4, 7). The Button Head Bolt must be pushed through the hole in the plastic ratchet strap before securing strap and bracket to the rack.

Lineup one of the M8 Nyloc Nuts inserted in Step 2A with the hole in the top of the Spade Bracket and fasten the Ladder Strap (Item 3, Rib side facing up) to the rack using a M8 x25 Button Head Bolt and Mb Flat Washer (items 1 & 2).

Repeat for second Spade Bracket.



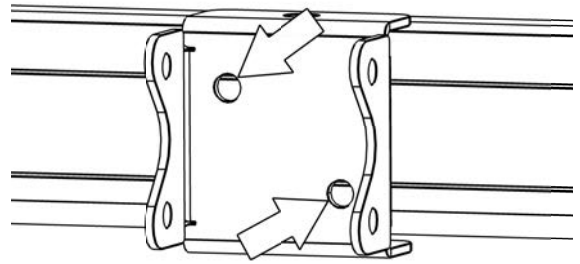
NOTE: You will need to distance the second Spade bracket, according to the length of your Spade handle and where it lines up with a hole in the bottom of the side profile.

- (C) Secure your spade in position, using the Ladder Strap and Ratchet Buckle. The operation of the Ratchet Buckle works by sliding the Ladder Strap through the front of the Ratchet Buckle. Pull it through, use the silver part of the buckle to ratchet the strap tight. To release the Ladder Strap, press the black button towards yourself and pull the Ladder Strap out.

- (D) Congratulations, you have completed your installation. Take a step back and admire your work. Good Job!

3 FIT SPADE BRACKETS - SLIMLINE RACK

- (A)** Decide where on the rack you would like to mount your Spade. Place one of the Spade Brackets (Item 5) over the side profile of the rack spacing it between two slats. Using a marking pen, mark two diagonal holes on the Spade bracket.



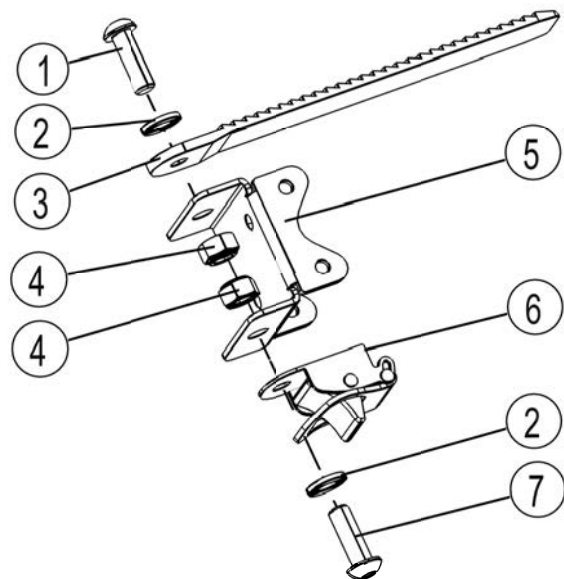
Remove the Spade bracket. Using a drill machine and a 6 mm drill bit, drill two holes on your markings.

- (B)** Insert a M8 x 25 Button Head Bolt and M8 Flat Washer (Items 1 & 2) through the Ladder Strap (Item 3) and fasten it to the Spade Bracket using a M8 Nyloc Nut (Item 4) as shown.

The Button Head Bolt must be pushed through the hole in the plastic ratchet strap before securing strap and bracket to the rack.

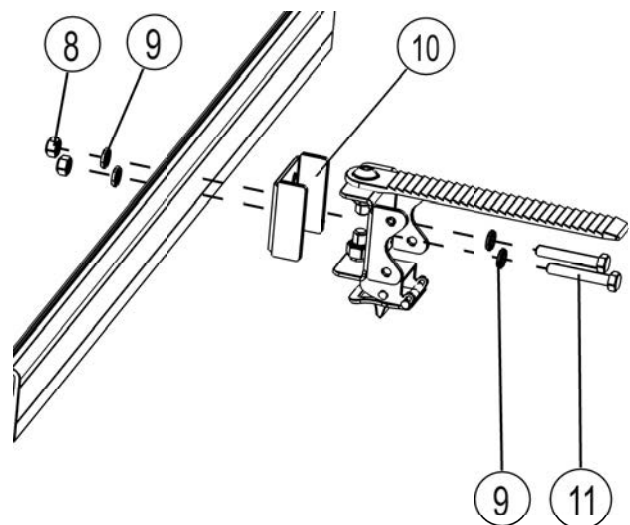
Fasten the Ratchet Buckle (Item 6) to the Spade Bracket in the same manner as the Ladder Strap, only this time using the M8 x30 Button Head Bolt (Item 7).

Repeat this step for the second bracket.



- (C)** Using the Spacer Bracket (Item 10), place it in front of the Spade Bracket assembly as shown. Line up the holes in both brackets. The Ladder Strap must go to the top of the rack. Insert two M6 x 40 Hex Bolts and M6 Flat Washers (Items 9 & 11) through both brackets and secure them to the rack using the M6 Flat Washers and M6 Nyloc Nuts (Items 8 & 9) as shown.

Repeat Steps 3A- 3C for the second bracket.



NOTE: You will need to distance the second Spade bracket, according to the length of your Spade handle and where it lines up with a hole in the bottom of the side profile.

4 FIT SPADE BRACKETS - SLIMLINE RACK...CONT.

(A) Secure your spade in position, using the Ladder Strap and Ratchet Buckle. The operation of the Ratchet Buckle works by sliding the Ladder Strap through the front of the Ratchet Buckle. Pull it through, use the silver part of the buckle to ratchet the strap tight. To release the Ladder Strap, press the black button towards yourself and pull the Ladder Strap out.

(B) Congratulations, you have completed your installation. Take a step back and admire your work. Good Job!



5 INSTALL OTHER VEHICLE AND RACK ACCESSORIES

(A) Now's the time to visit your favorite Front Runner dealer in person or online.